



NAYA WOOD

WPC INDUSTRIAL

شركة الحقول البيضاء
للصناعات الخشبية والبيئية



White Industries Company Wooden and Environmental LLC

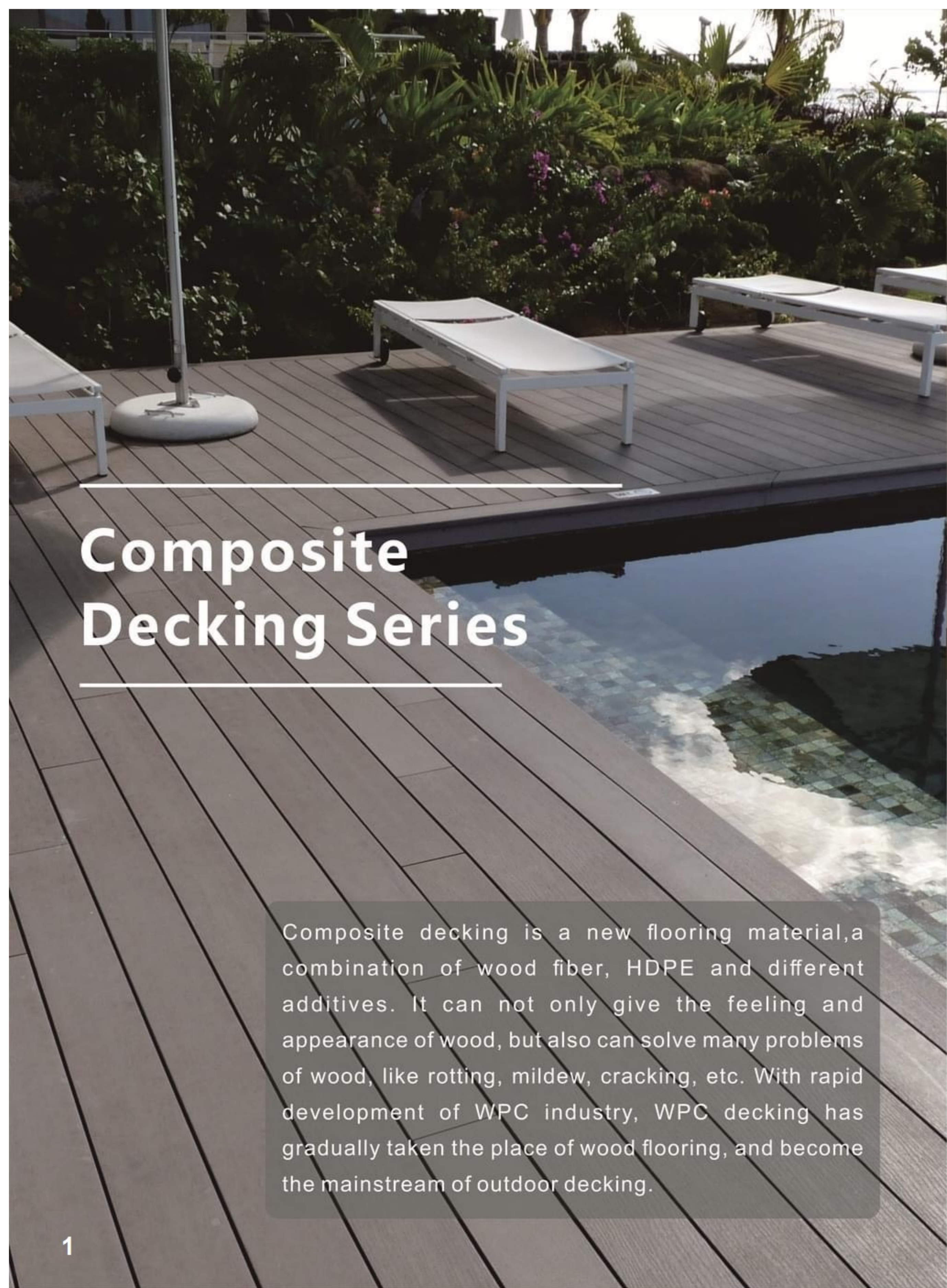
About Us:

We are a Jordanian company that designs and manufactures WPS industrial wood in accordance with international standards, using modern machines and a distinguished engineering staff, in multiple sections and colors to suit all needs, with high efficiency, and resistant to temperature, humidity, rain, and insects. Its products are environmentally friendly.

Our main office is located in Amman - Jordan. The company is registered in Jordan as a limited liability company under registration number 61643 in the Ministry of Industry and Trade.



by naya woods



Composite Decking Series

Composite decking is a new flooring material, a combination of wood fiber, HDPE and different additives. It can not only give the feeling and appearance of wood, but also can solve many problems of wood, like rotting, mildew, cracking, etc. With rapid development of WPC industry, WPC decking has gradually taken the place of wood flooring, and become the mainstream of outdoor decking.



Composite Decking

Advantage



100% recyclable and eco-friendly, saving forest



Water resistance and mildew proofing



Excellent UV resistance



Formaldehyde emission: E0 (the highest standard)



Weather resistant from -30°C to 70°C



Termite resistance



DIY and easy installation



No paint or glue needed



Composite Decking



Decking Model

Twix-4978: 140 mm width, 25 mm thickness

Snick-4979: 38 mm width, 22 mm thickness

Naya-Co1: 140 mm width, 23 mm thickness

Floora-4986: 90 mm width, 16 mm thickness

Optional Colors

Dark Grey Grey Dark Chocolate Coffee Mahogany Teak

Surface Treatments

Embossing Brushing

Suprotect Series

Suprotect decking is a new generation of wood plastic composite with high-tech co-extrusion technology. Different from traditional WPC, co-extrusion technology is a process in which a protective layer of polymer and an inner WPC layer are co-extruded at the same time with high temperature. We also call it co-extrusion or capped decking.

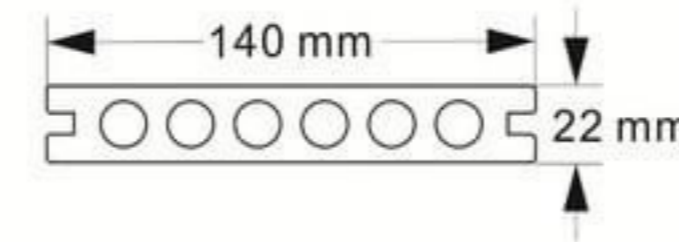
The inner layer is made of high-density recycled plastic and wood fiber. The patented polymer plastic is used in the outer coating to enhance the resistance. Plus 3D wood grain and professional color matching, both of the quality and appearance are better than the composite decking.



Decking Model



Naya - co1



Optional Colors



IPE

Walnut

Teak

Antique

Ashwood

Dark Grey

Advantage



High-tech plastic for outer layer 360 degree protection



3D and natural wood texture



Excellent UV resistance



Better anti-scratch and wearing resistance



Stain-proofing and fast cleaning



Slip resistance



100% Eco & recyclable material

Surface Treatments



Front:3D Wood Grain



Back:Brush

Decking Installation Guide

Installation Material



WPC decking panel

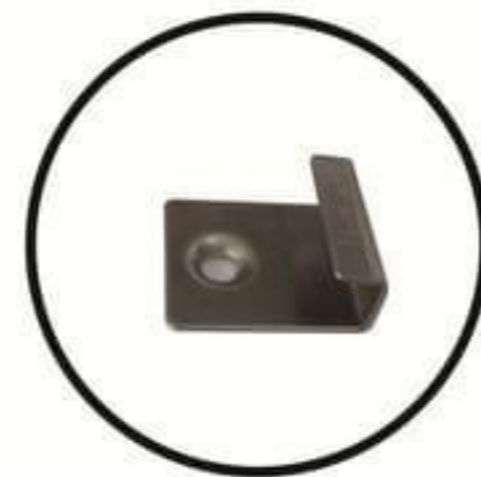
Installation Fittings



Clip



Screws



Side clip



Patented Clip - Easy installation and more stable decking system



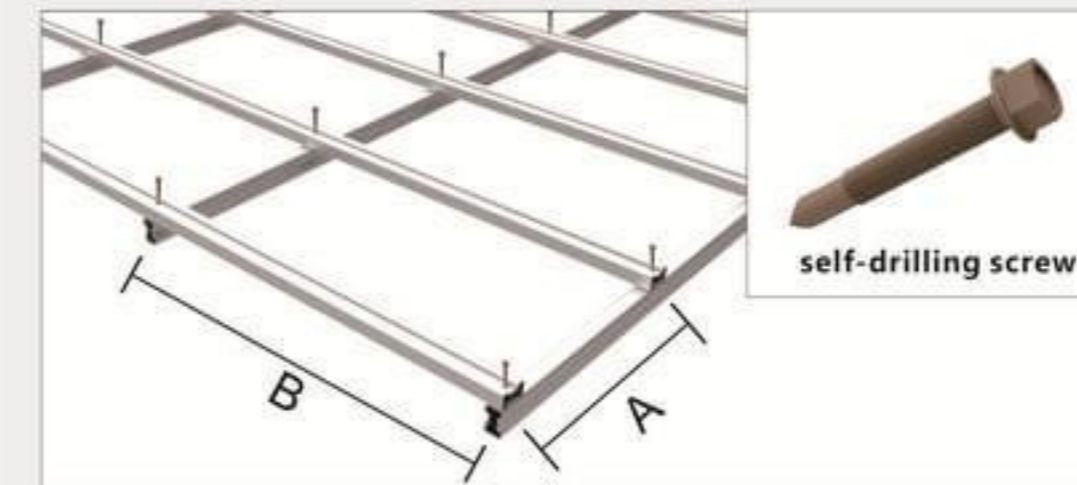
Installation Steps

1. Install aluminium joist system

Model	Span A(mm)	Span B(mm)
SB03	350	700
ML02	400	
OR02	450	

① Refer to the spacing table to lay two layers of joist.

* Fix the upper joists to the lower ones by using screws.



2. ① Fix the side clips onto the joists first.

② Push the deck board tight to the side clips. Suggested length for actual application is not longer than 2.75 meters per piece.



3. ① Put the special clip with a side hole into the middle of the decking side groove.

② Make sure the toothed side into the decking groove

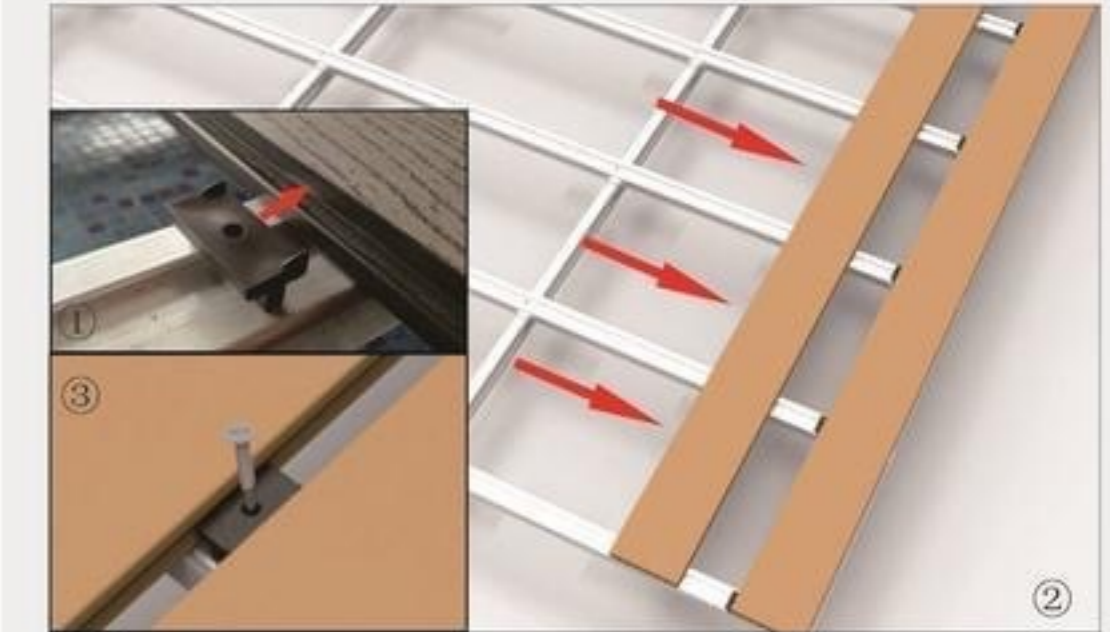
③ Screw through the side hole and fix the clip to decking board.



4. ① Put the normal clips for the rest. Make sure the toothed side to the groove.

② Slide another board to the clips to the right position.

③ Fix the decking through the top holes of the clips.



5. ① Repeat the steps above for the decking installation.

② Make sure the gap between cross sections of decking boards no less than 3mm.

③ Make sure 10mm gaps to the walls for the expansion or contract.



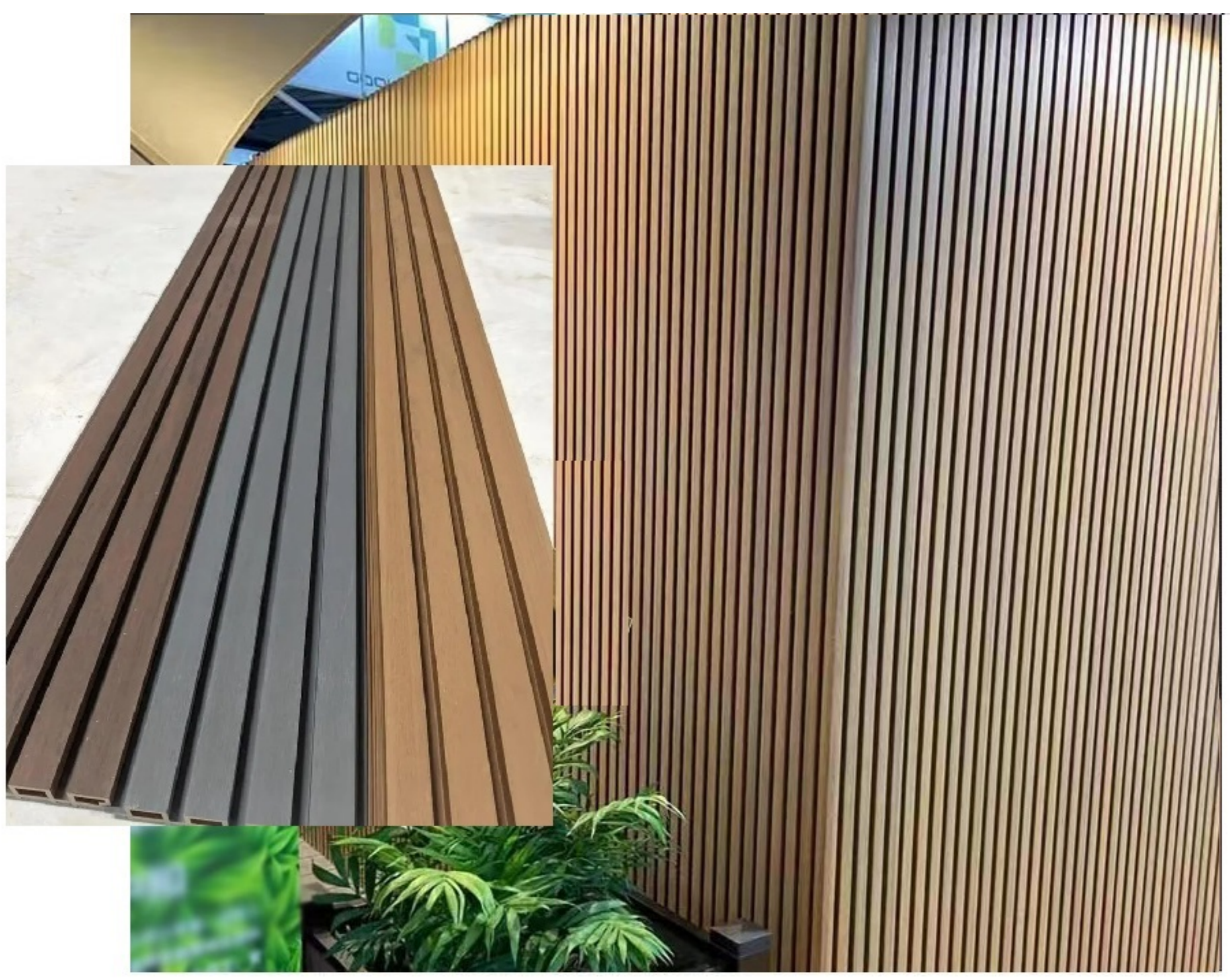
6. ① Pre-drill a hole like the pic shown below and then screw the decking board to the joist.

② Fix the fascias. Job finished.





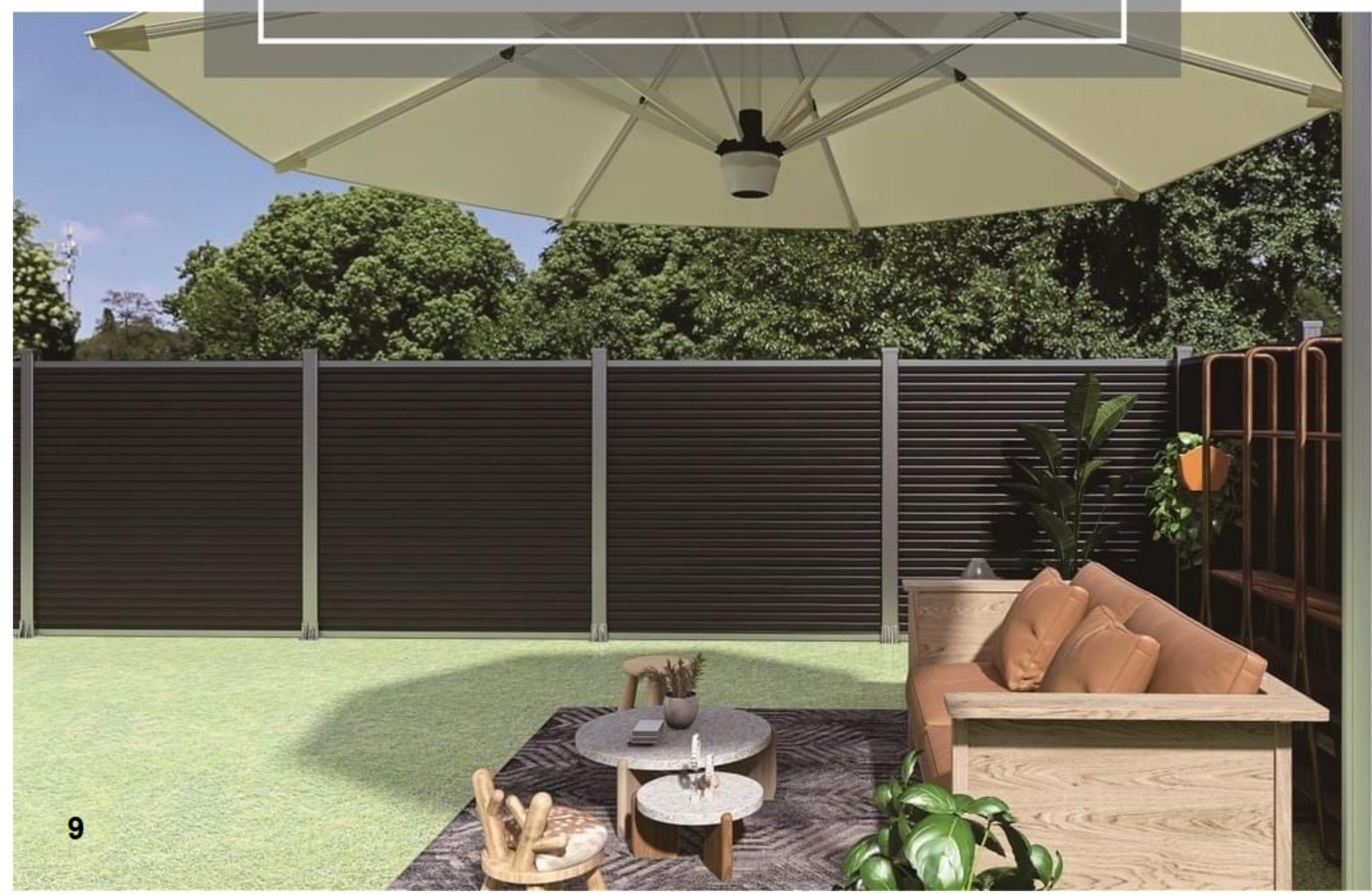
Slat Wall Fence

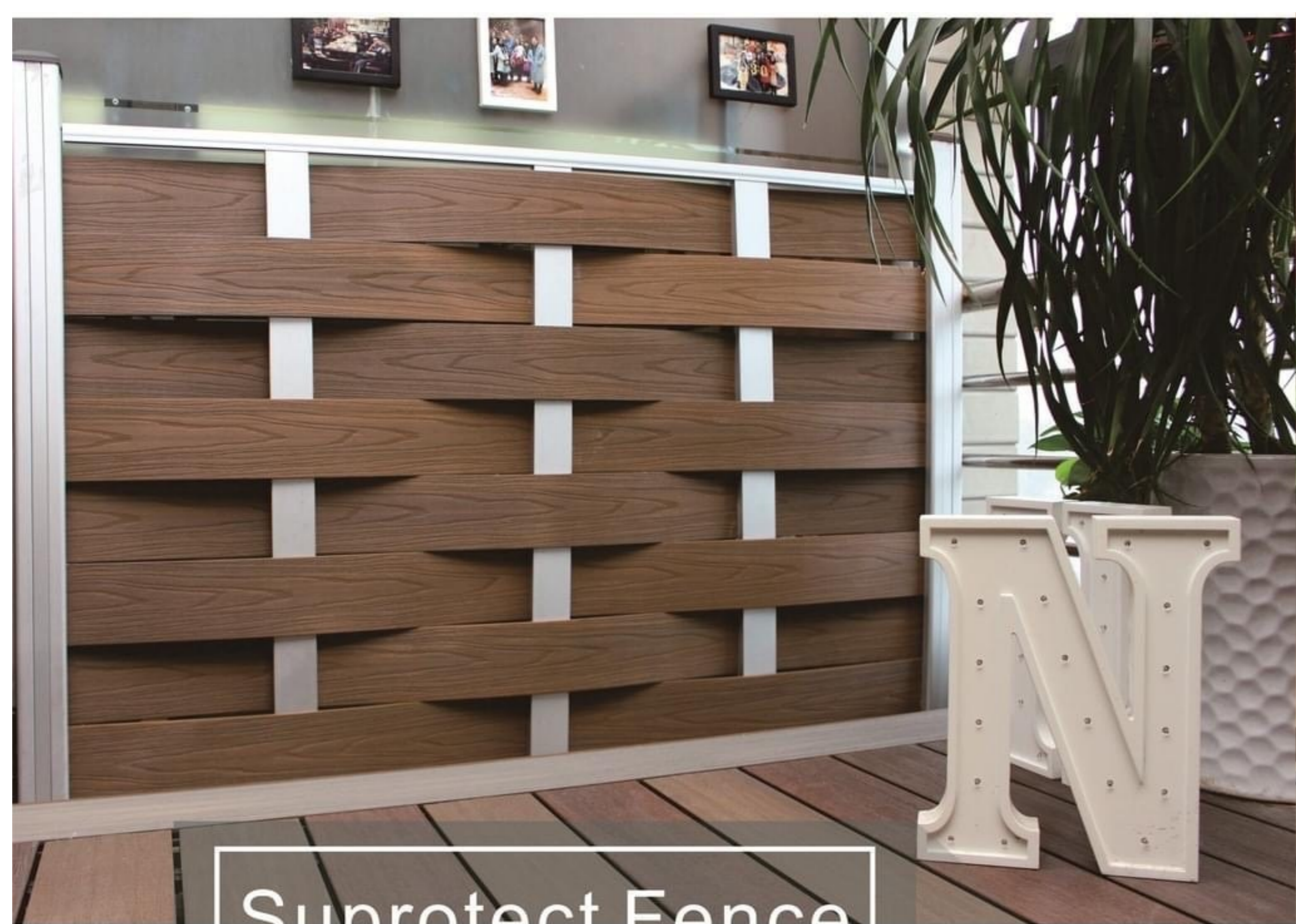


Optional Styles



Optional Colors





Suprotect Fence



Excellent UV resistance



Insect resistance - anti termite



Easy cleaning and low maintenance. water-proof and oil-proof



100% Eco & recyclable material

Optional Colors



IPE



Walnut



Teak



Antique



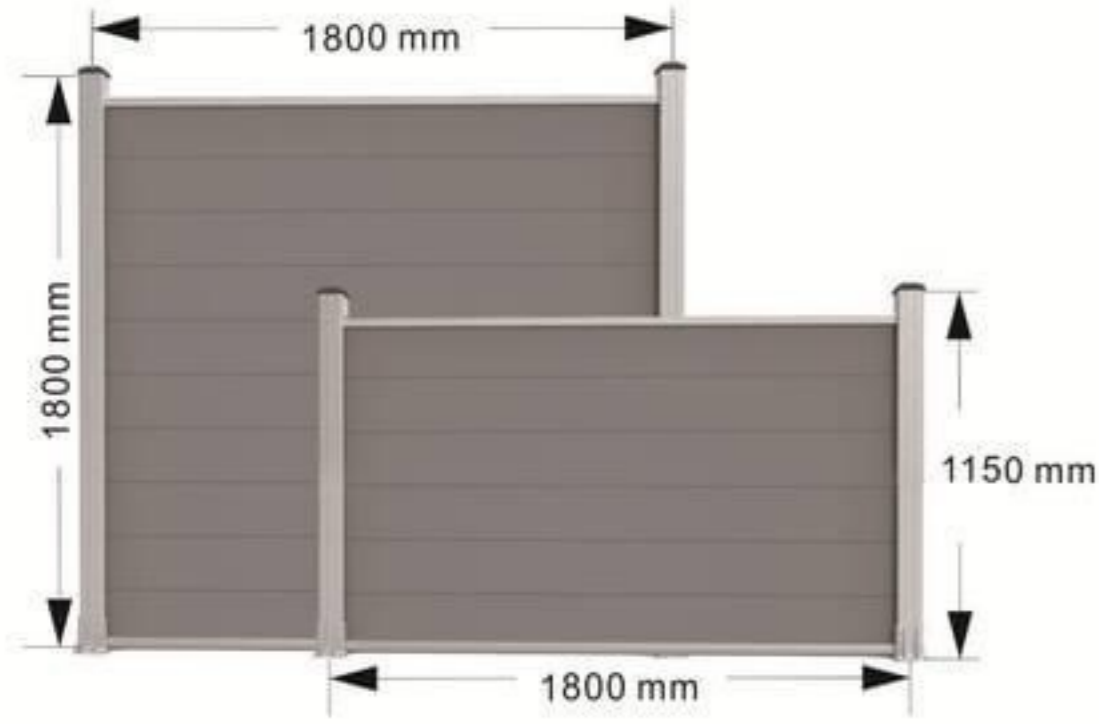
Ashwood



Dark Grey



Privacy Fence



Milka - 4985
153 x 21 mm

Mid-Trellis Fence



Milka - 4985
153 x 21 mm

Floora -4986
90 x 16 mm

SPACER

Full-Trellis Fence



Twix - 4978
140 x 25 mm

SPACER

Woven Fence



Floora -4986
90 x 16 mm

Vertical Alu Tube
76x25mm

Lattice Fence



Milka - 4985
153 x 21 mm

MIDDLE RAIL

Carving Fence



Milka - 4985
153 x 21 mm

Optional carving styles



Fence Standard Size: W1800*H1800mm
W1800*H1150mm

Fence Panel Colors



Teak



Coffee



Dark Grey

Aluminum Frame Colors



Aluminum



Black

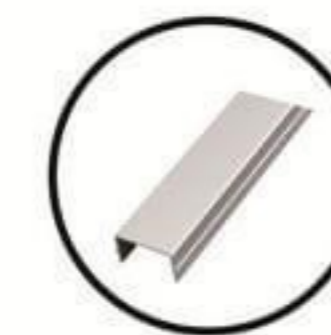
Accessories



POST



RAIL



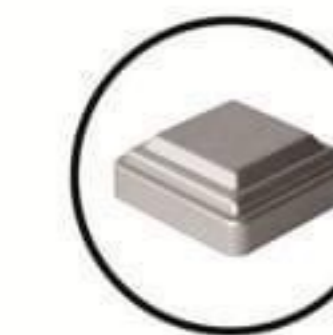
SIDE
COVER



BRACKET
FOR RAIL



POST
BASE



POST CAP

Fence Gate

Standard Gate



- Accessories replaced easily
- After the improvement, the structure is solid and reasonable
- Variety of styles and flexibility
- Can be customized

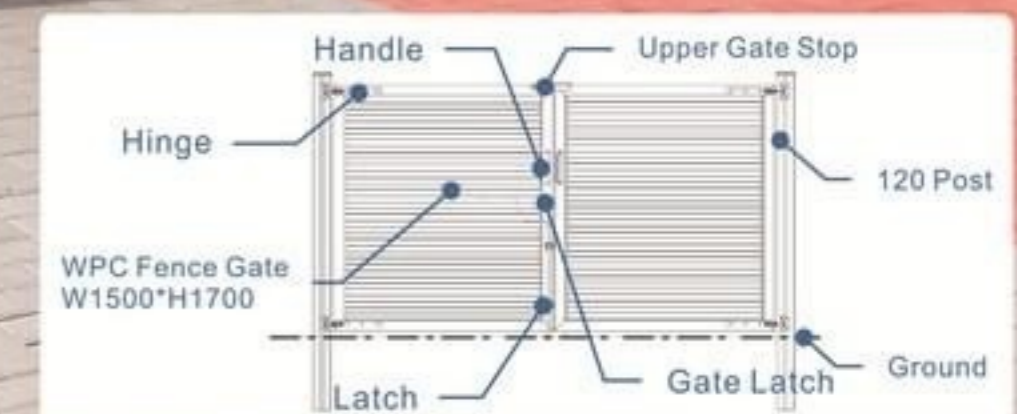


With handle

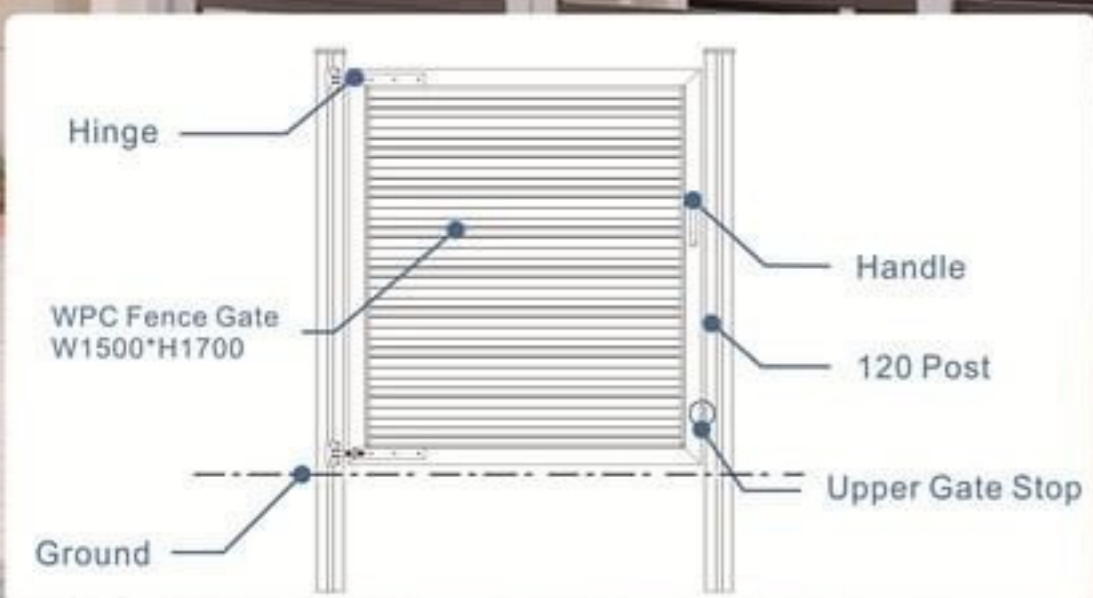
With lock

Standard Size: W900*H1700mm

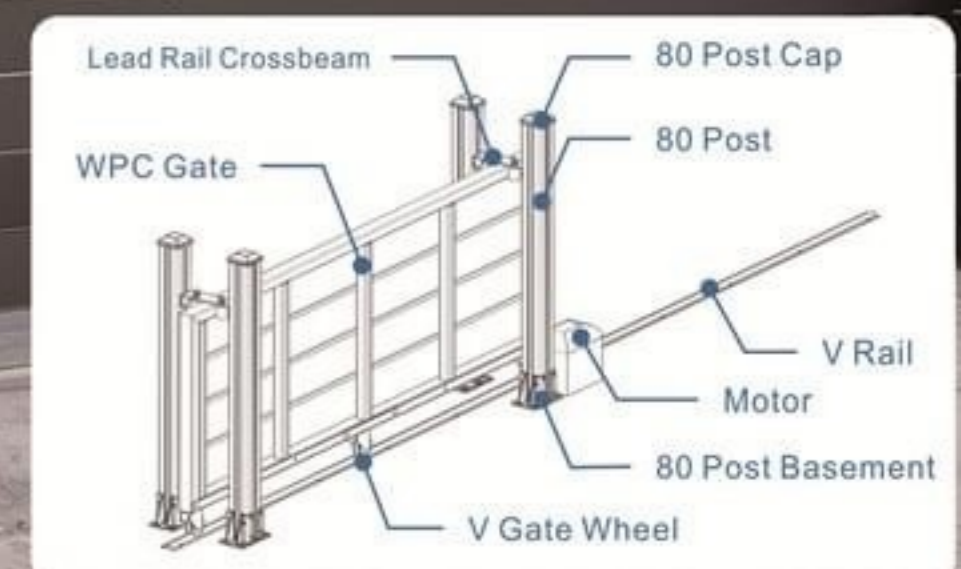
Double Gate



Single Gate



Sliding Electric Gate



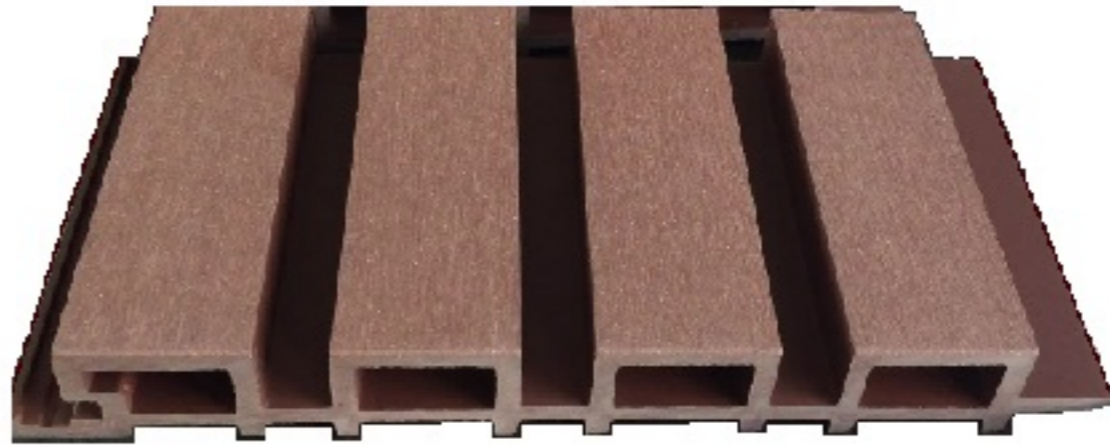


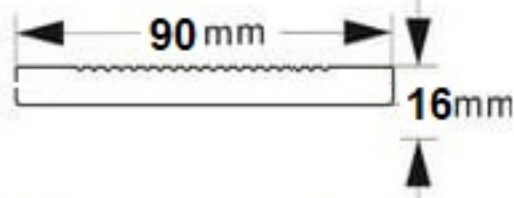


Eco-wood Ceiling



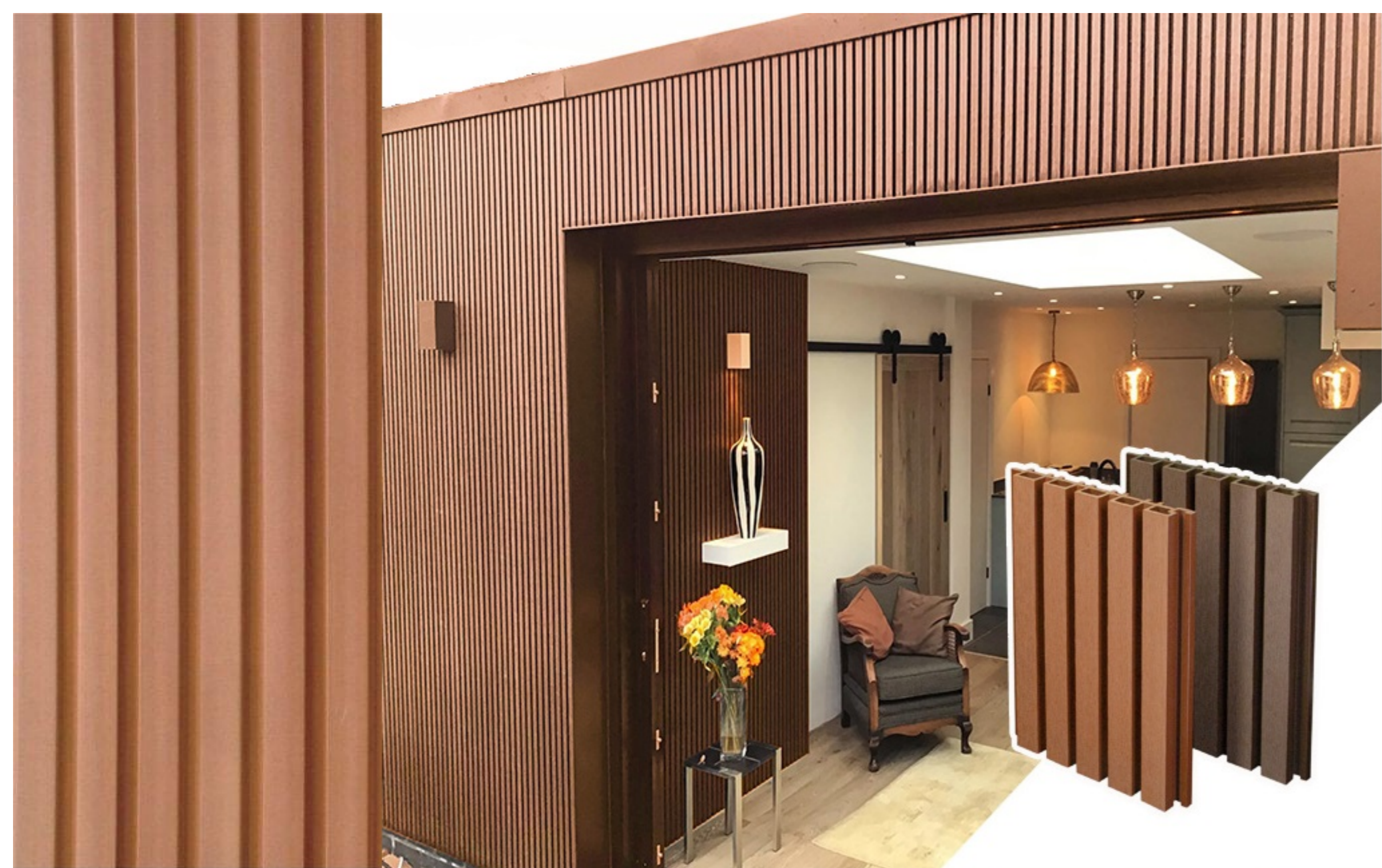
NAYA Woods eco-wood ceiling series serves as a perfect substitution of real wood ceiling and aluminium ceiling. The simple installation, good thermal insulation and fire resistance make it outstanding among other traditional ceilings. Nowadays, NAYA Woods eco ceiling series becomes more and more popular in the world because of its excellent features.

Ceiling Model

Finished Product	Series
 <p>Wall ceiling 1</p>	 <p>Milka - 4985 153 x 21 mm</p>
 <p>Wall ceiling 2</p>	 <p>Kitkat - 4976 210 x 25 mm</p>
 <p>Wall ceiling 3</p>	 <p>Floora - 4986</p>

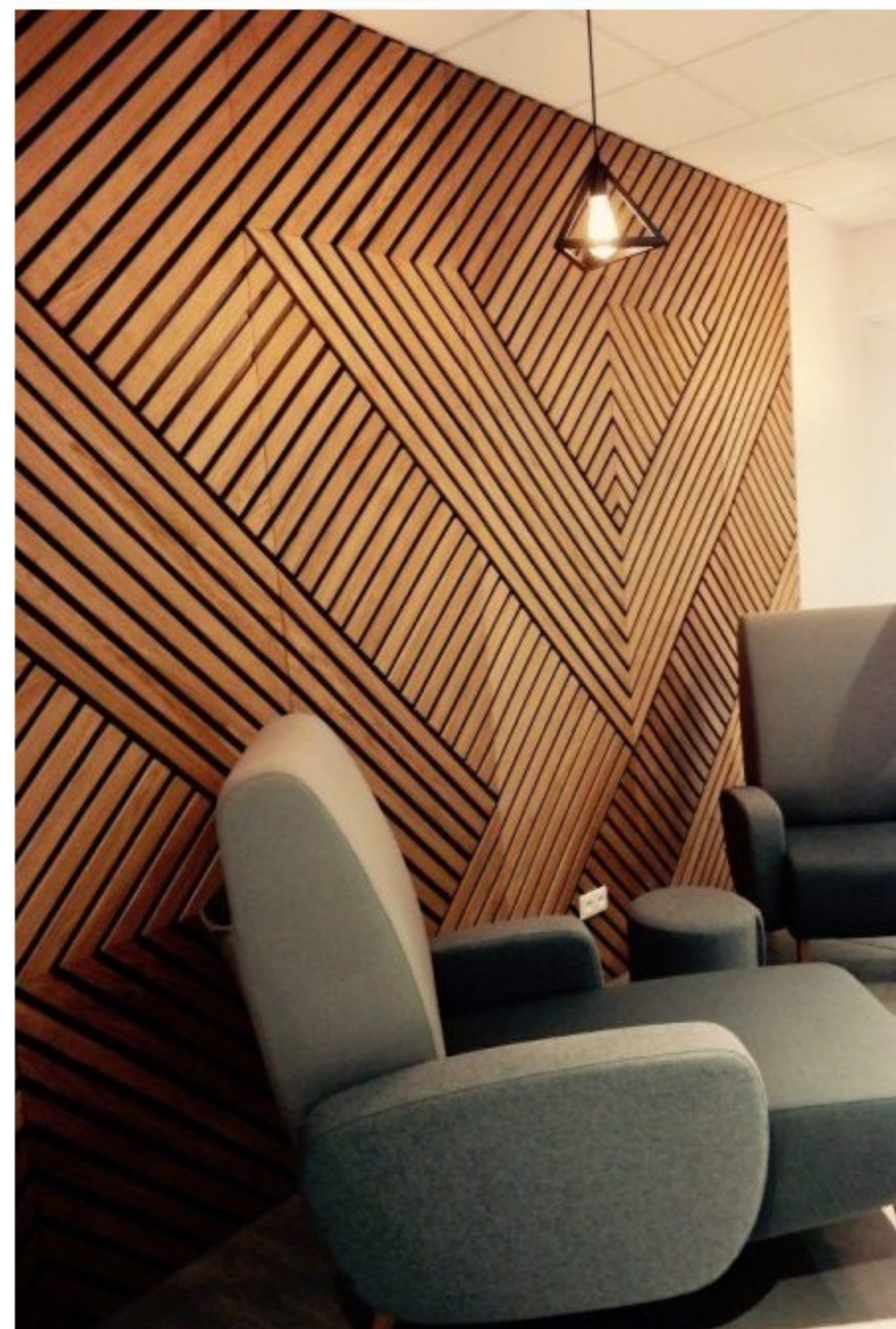
Optional Colors



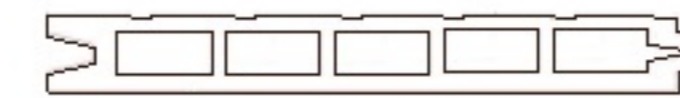


Indoor Wall Panel

Naya Woods indoor wall panel is a special product developed for interior decoration. Light-weighting product, elegant appearance and easy installation are 3 main features of this product. Because of the water-proofing and easy cleaning, our indoor wall panel can be used in offices, hotels, houses, but also in natatoriums, bath room and kitchens, etc.



Galxy - 4977



150 x 18 mm



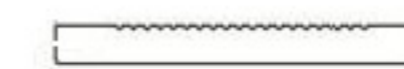
Milka - 4985



153 x 21 mm



Floora - 4986



90 x 16 mm



Naya - Co1



140 x 22 mm



Kitkat - 4976



210 x 25 mm



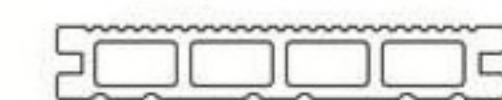
Angle - 4980



50 x 50 mm



Twix - 4978



140 x 25 mm



Accessories



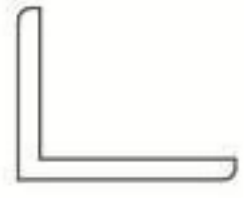
Angle - 4980



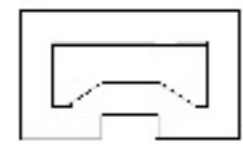
Snick - 4979



Column - 4983



50 x 50 mm



38 x 22 mm



100 x 100 mm

Optional Colors



Dark Grey



Dark Chocolate



Dark Coffee



Coffee



Mahogany



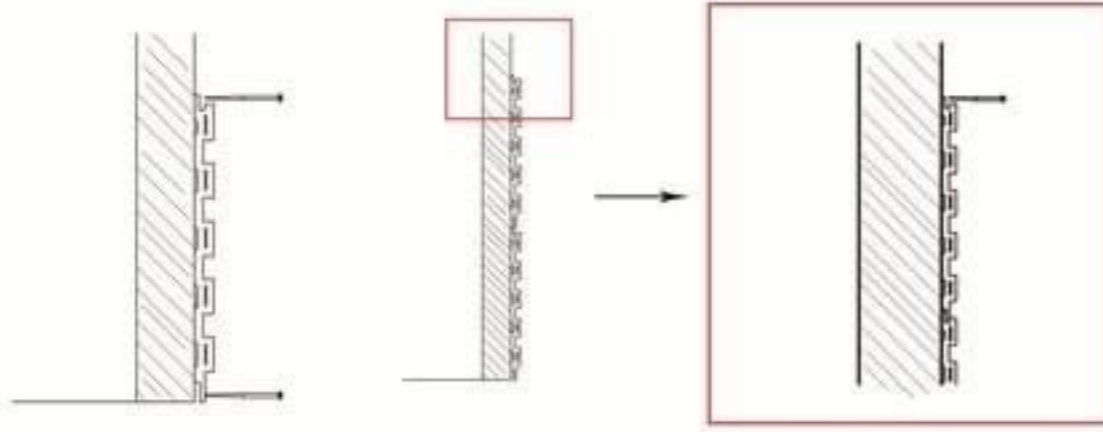
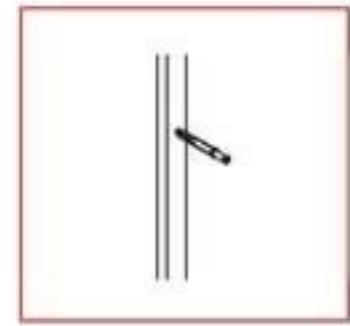
Teak

Installation Guide



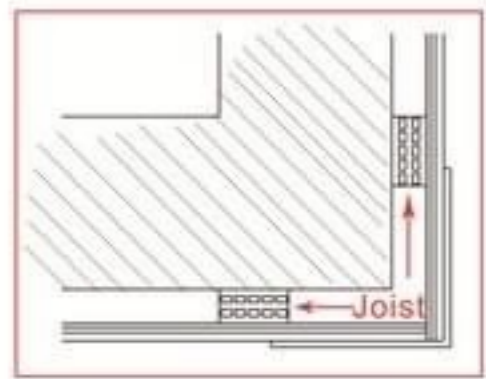
Joist span is 600 mm. Fix the joist every meter with expansion screw

1

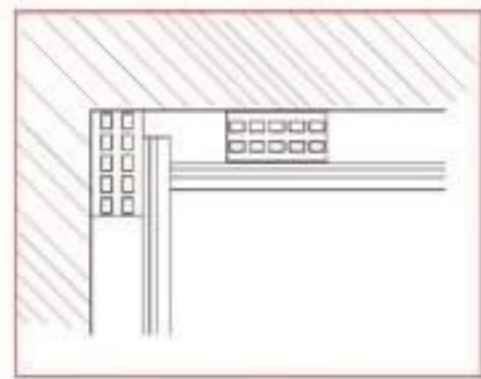


Install the bottom wall panel and fix it with air nail gun. Make sure the upper and lower concave parts are well-fixed

2



External Corner

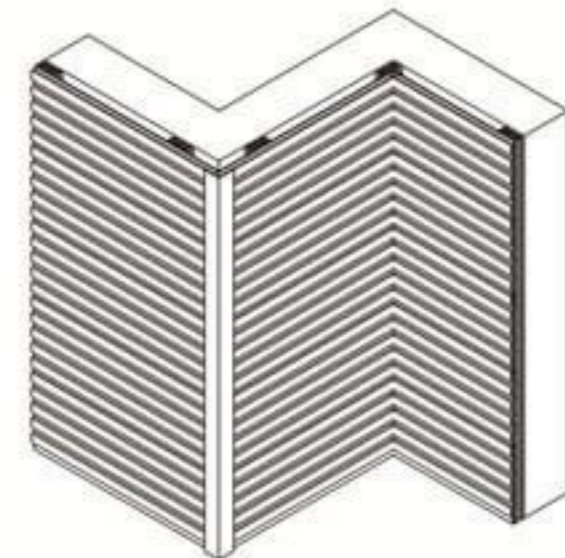


Internal Corner

Detail demo

3

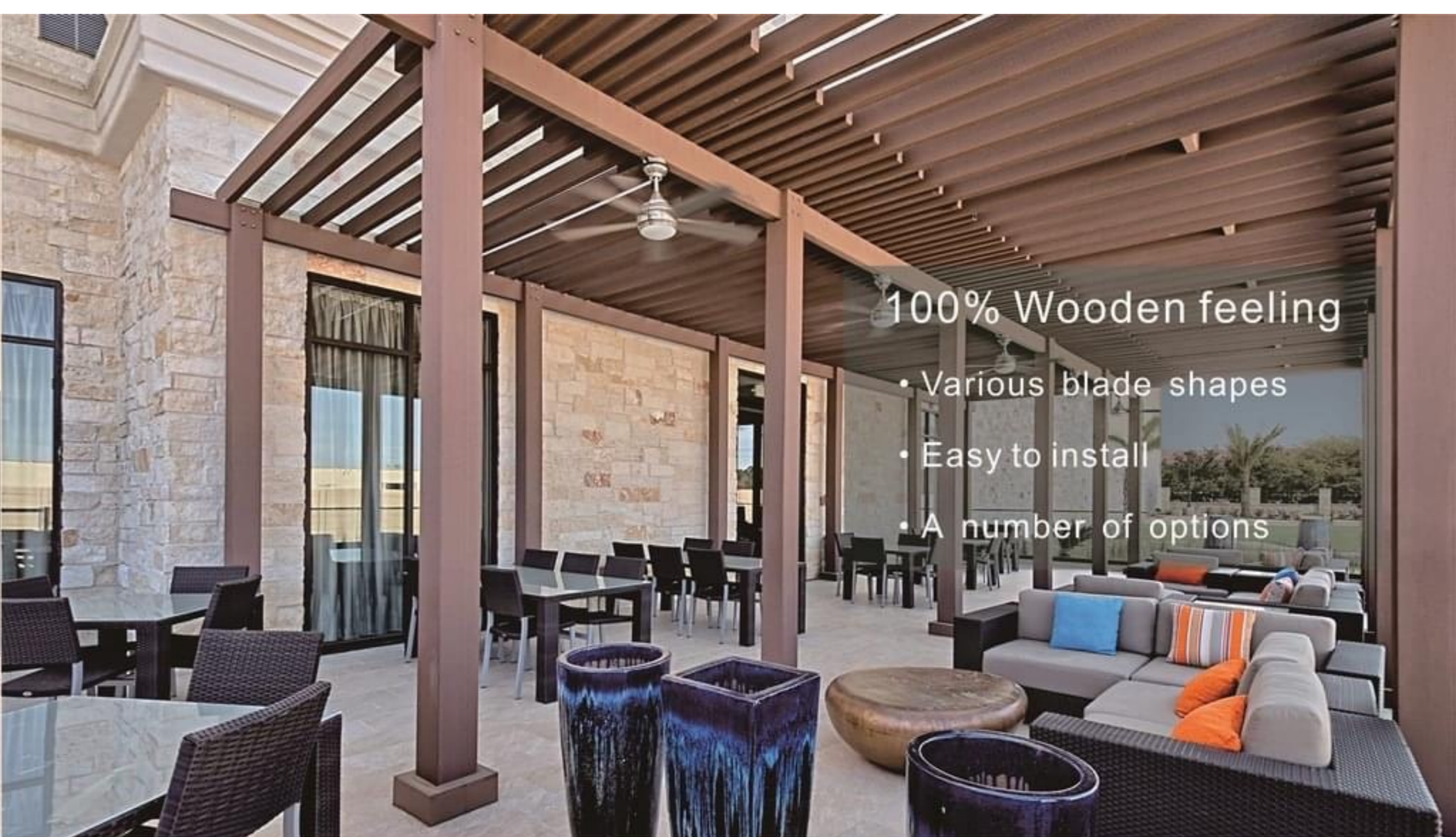
4



Complete demo

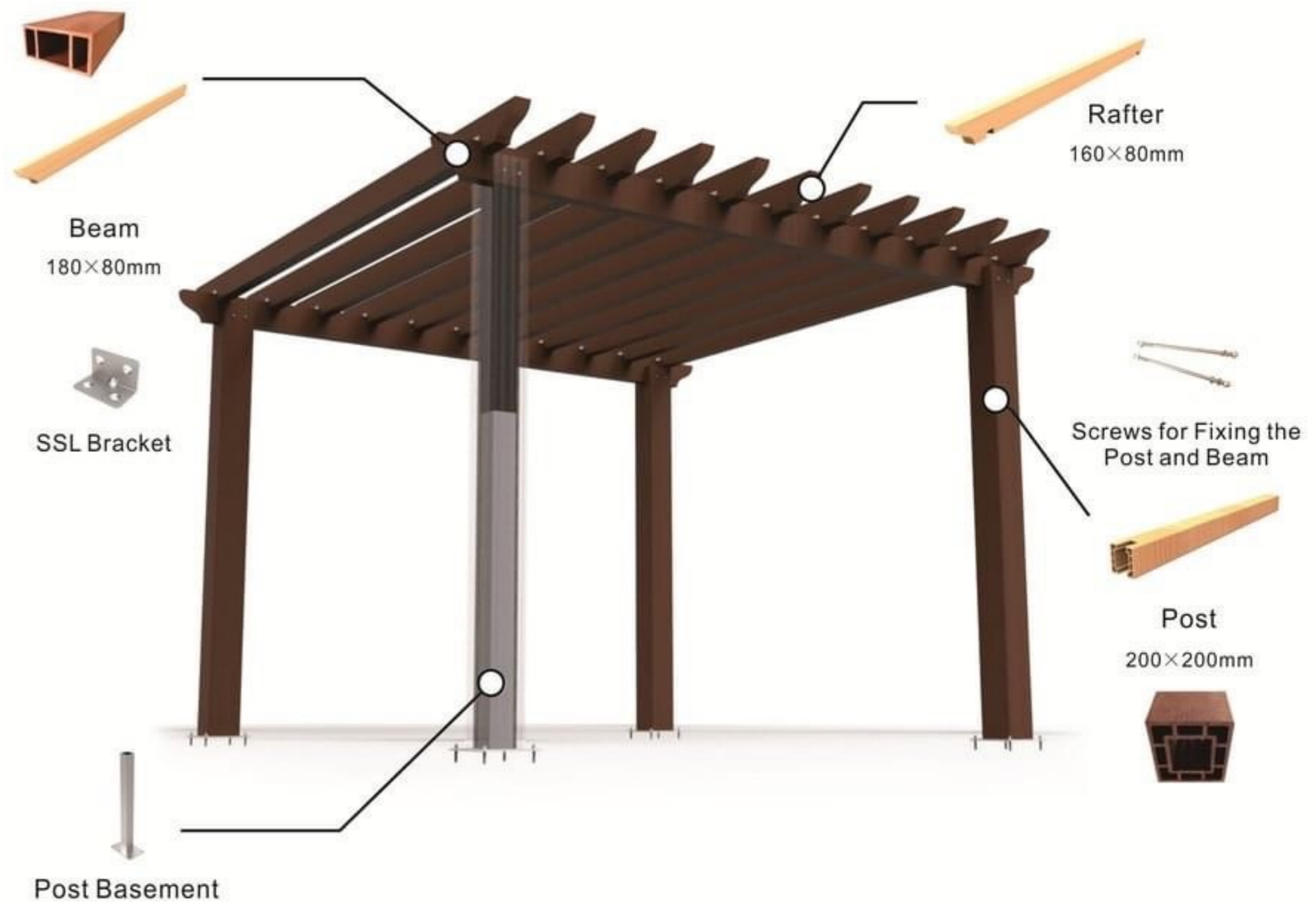
Indoor wall Panel





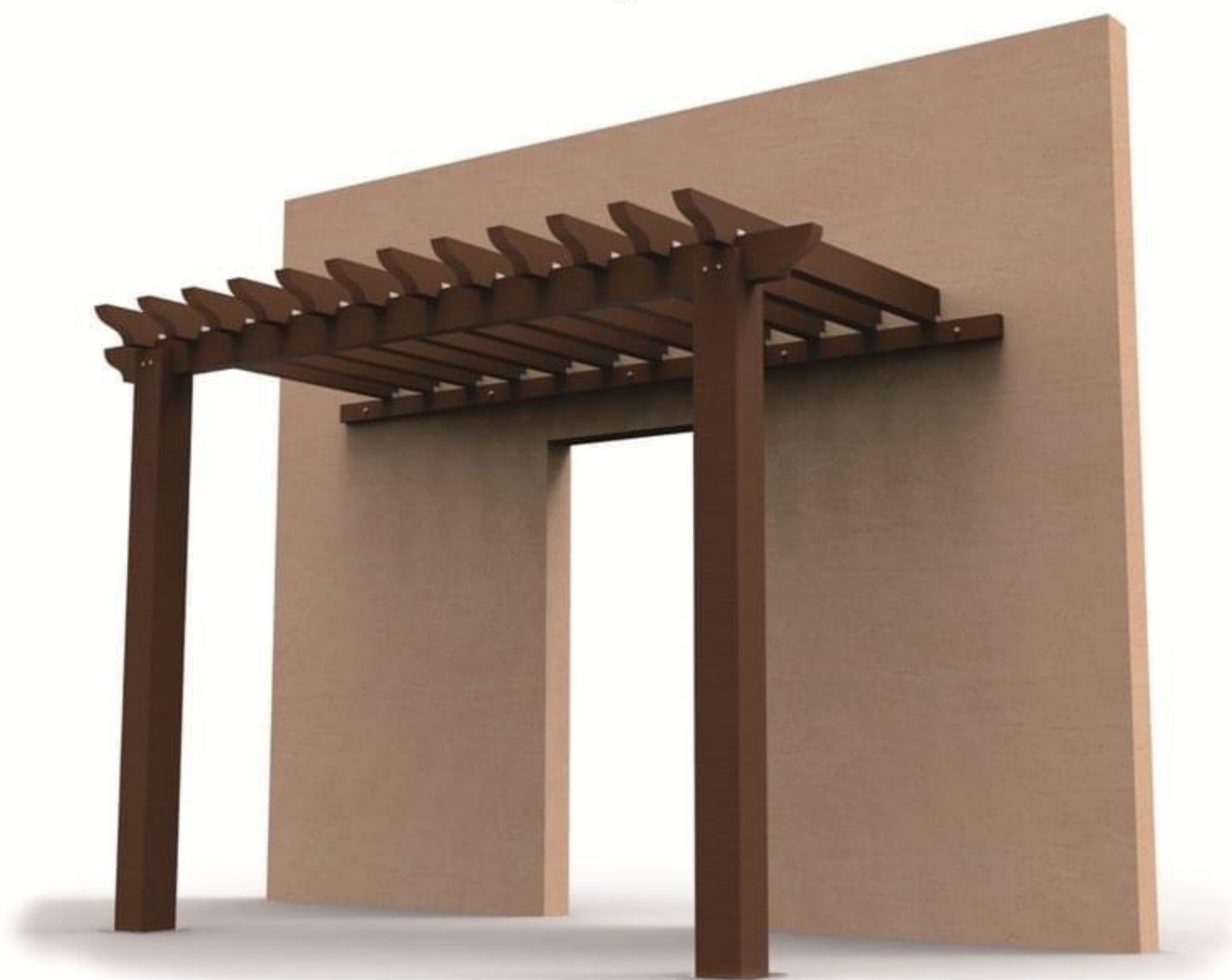
Pergola Series

- 100% Natural appearance
- Minimum maintenance
- Customization accepted
- Free design service
- 24H7D technical team support
- All accessories included





Style1



Style2



MB01
L1500*W530*H420mm



MB02
L1500*W610*H780mm



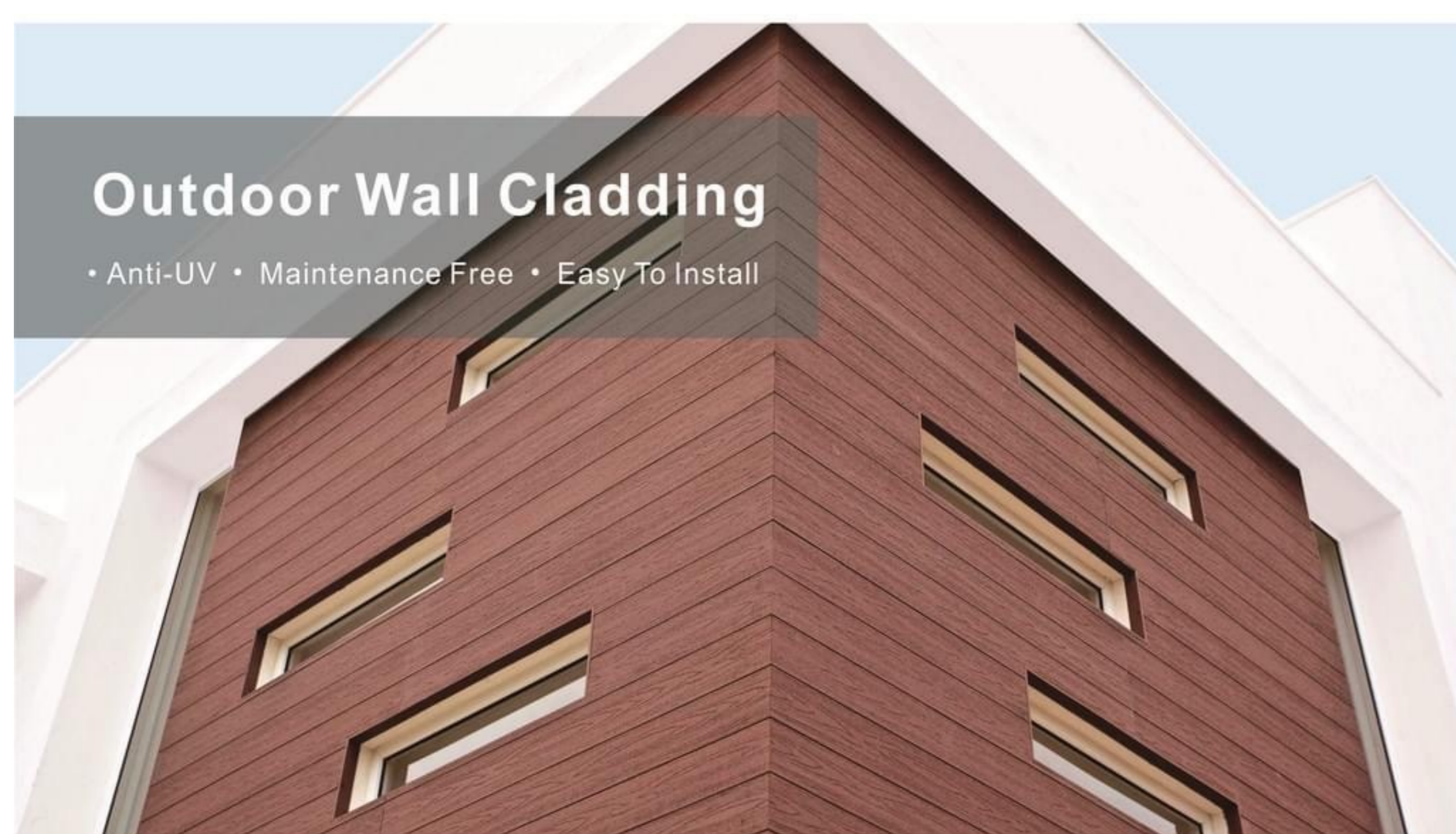
MB03
L1500*W430*H400mm



MB04
L1500*W510*H750mm

Outdoor Wall Cladding

• Anti-UV • Maintenance Free • Easy To Install



Suprotect Wall Cladding

• Elegant • Low Carbon • Energy saving



Composite Wood Wall Cladding



Milka - 4985
153 x 21 mm



Kitkat - 4976
210 x 25 mm



Naya - Co1
140 x 22 mm



Galxy - 4977
150 x 18 mm

Optional Colors



Dark Grey Dark Chocolate Dark Coffee Coffee Mahogany Teak

Surface Treatments



Embossing Brushing

Optional Colors



IPE Walnut Teak Antique Ashwood Dark Grey

Surface Treatments



Brush Emboss

WPC House - Modern cabin



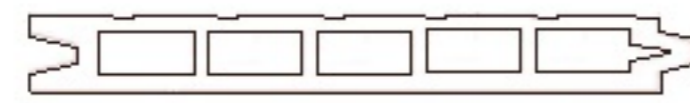
Galxy - 4977



Milka - 4985



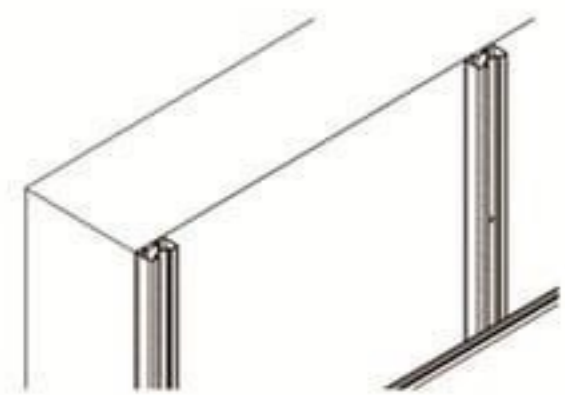
153 x 21 mm



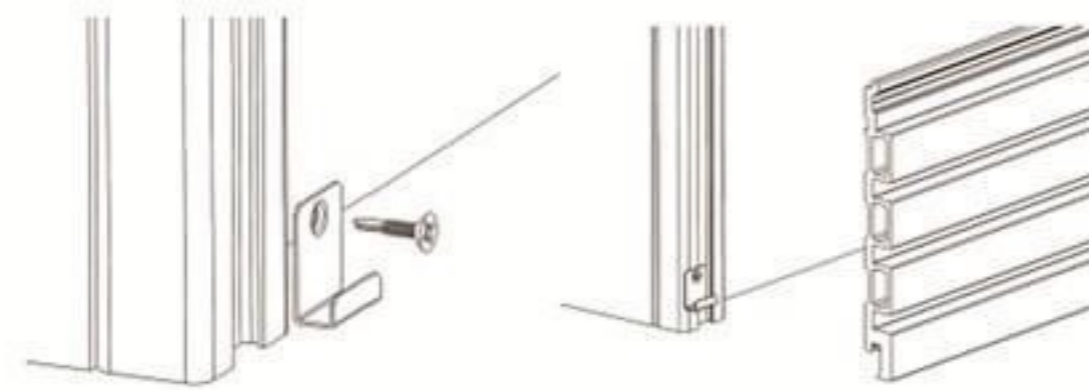
150 x 18 mm



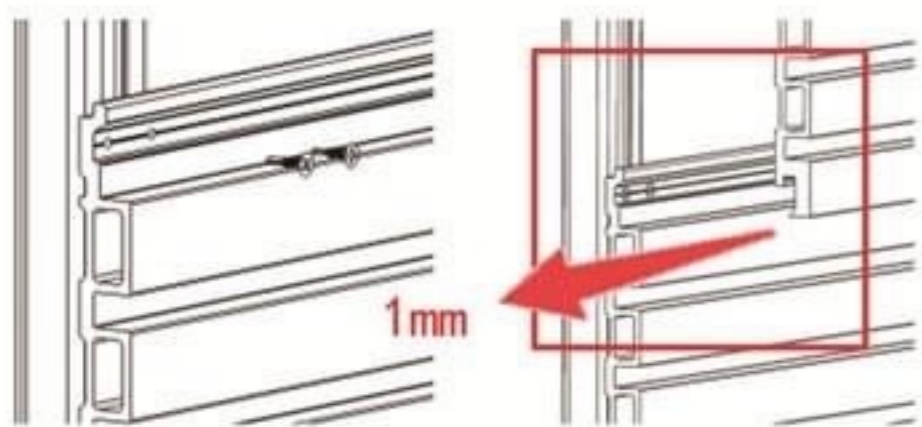
Installation



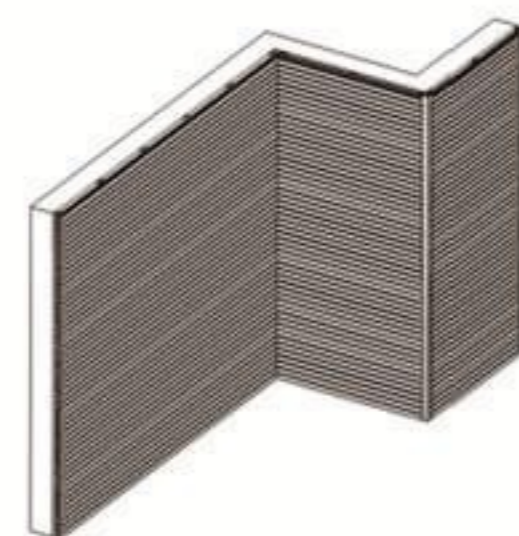
1. 600mm spacing between joists, each joist is fixed with an expansion screw



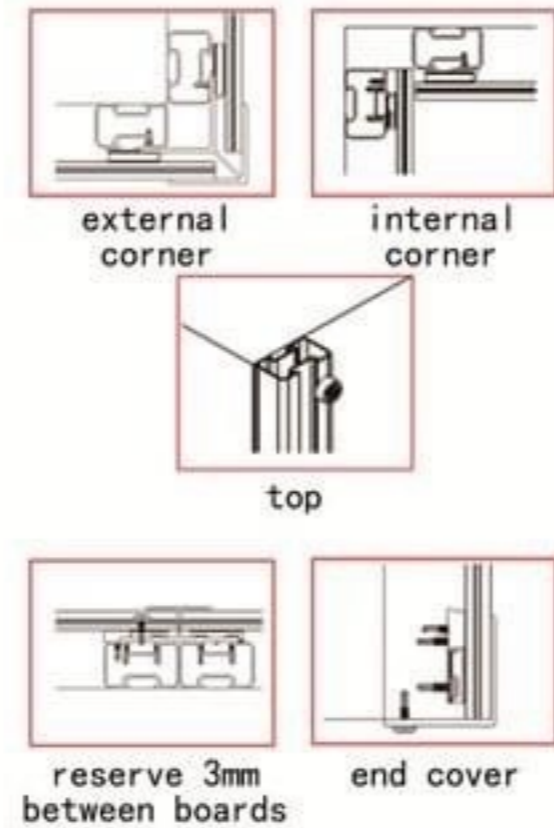
2. Reserve 18mm between the starter clip and floor



3. Install the wall panel (pre-drilled first) Reserve a clearance of 1mm before installing the next wall panel (Prevent the wall panel from expanding and contracting)



4. Overall renderings



external corner

internal corner

top

reserve 3mm between boards

end cover



Garden Box



Outdoor Furniture



Gazebo



Other Landscape Series

WPC Handrail



Garden Fence



ONE-STOP OUTDOOR SOLUTION

Achieving green eco outdoor life for you



Other Landscape Series

For Swimming Pools



Profile List


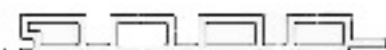



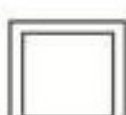
Suprotect Decking

Model NO.	Product	Section Drawing	Size(mm)
Naya - Co1			140mm×22mm
			





WPC Decking

Model NO.	Product	Section Drawing	Size(mm)
Twix - 4978			140mm×25mm
			
Floora - 4986			90mmx16mm
			

Indoor Wall

Model NO.	Product	Section Drawing	Size(mm)
Kitkat - 4976			210mmx25mm
Snick - 4979			38 mmx22m m
Column - 4983			100mmx100mm


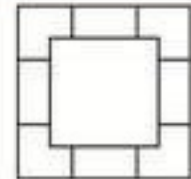

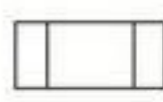


MecoFence

Model NO.	Product	Section Drawing	Size(mm)
Galxy - 4977			150mmx18mm
Snick - 4979			38 mmx22m m
Column - 4983			100mmx100mm
Twix - 4978			140mm×25mm
Floora - 4986			90mmx16mm

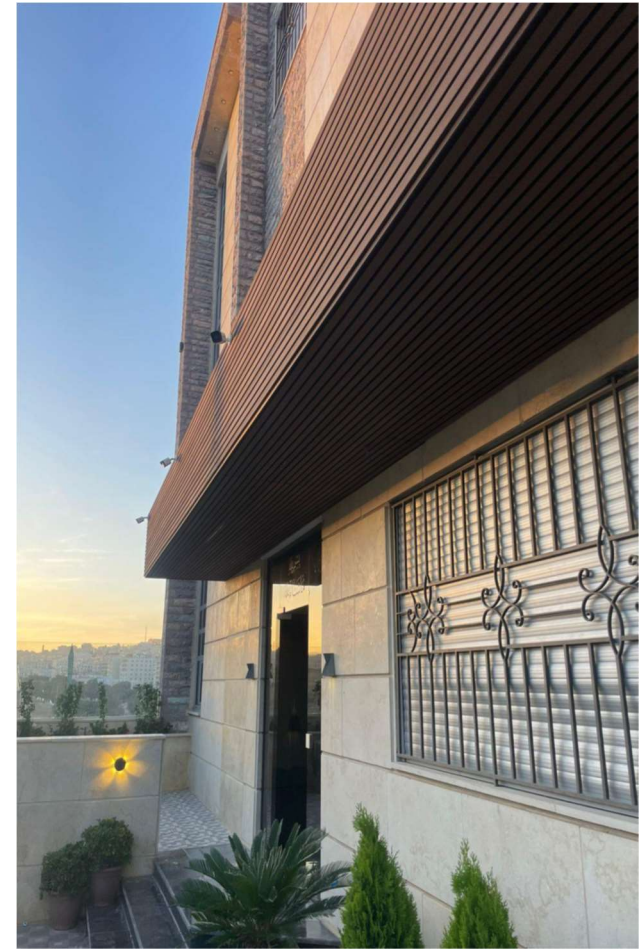
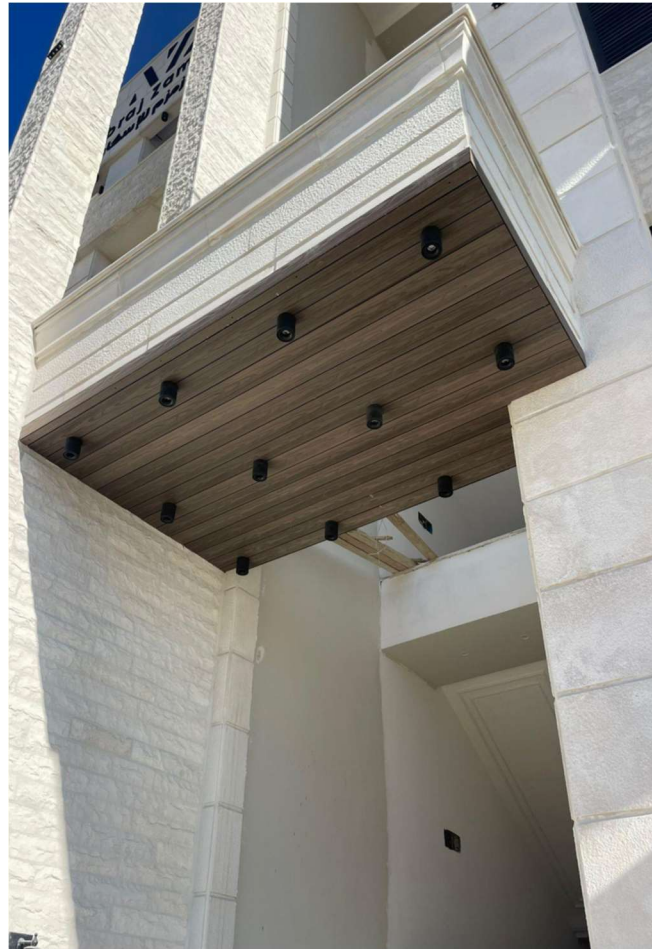
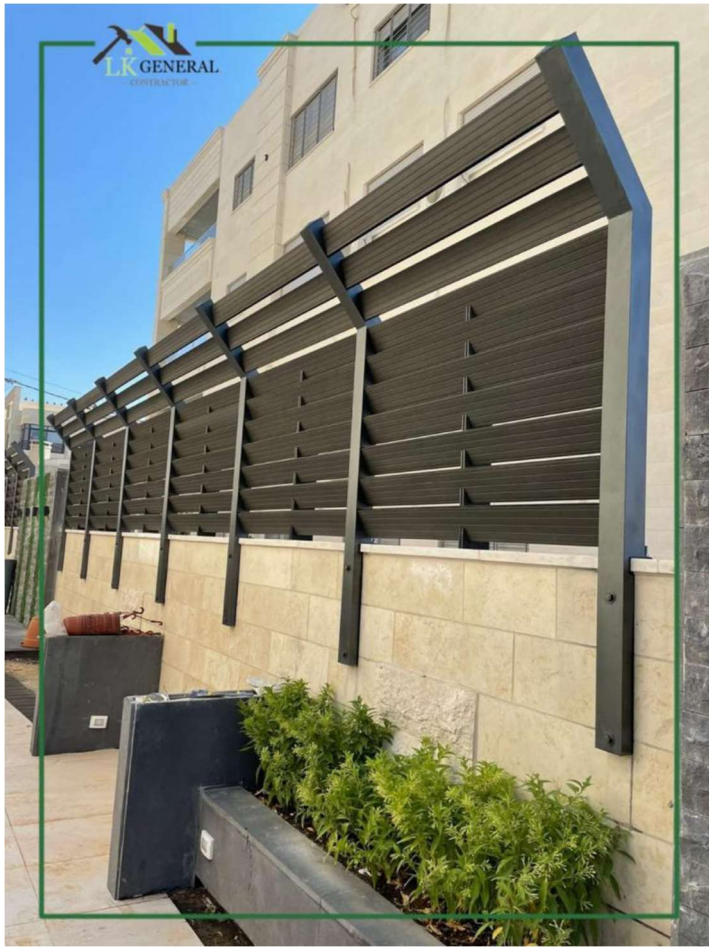
Outdoor Cladding

Model NO.	Product	Section Drawing	Size(mm)
Milka - 4985			153mmx21mm
Kitkat - 4976			210mmx25mm
Galxy - 4977			150mmx18mm
Angle -4980			50mm x50mm

Pergola

Model NO.	Product	Section Drawing	Size(mm)
Post			200mm×200mm
Beam			180mm×80mm
Rafter			160mm×80mm

❖ Some photos of our Projects:



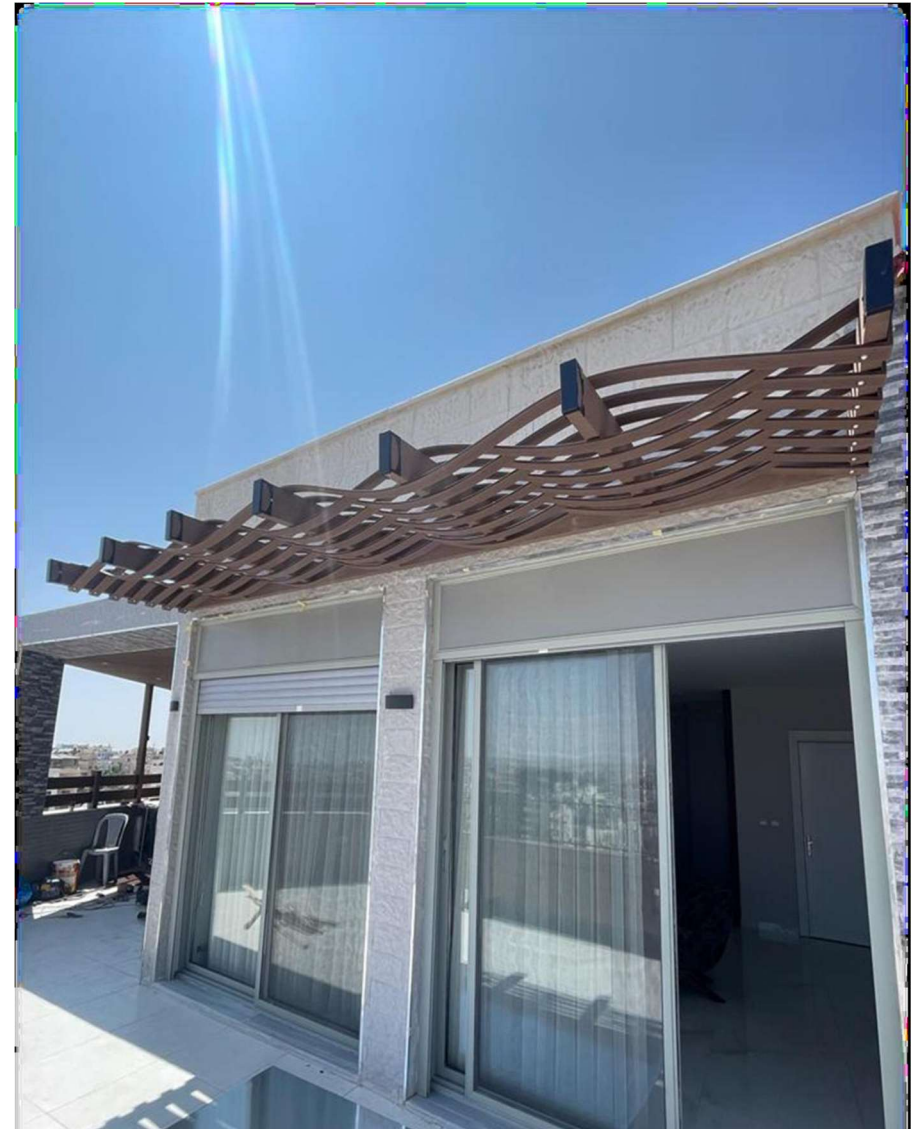
❖ Some photos of our Projects:



❖ **Some photos of our Projects:**



❖ Some photos of our Projects:





Contact us

شركة الحقول البيضاء للصناعات
الخشبية والبيئية ذ.م.م



عمان . الاردن
116 شارع عامر بن مالك-خلدا



m.Shaban@nayawoodsjo.com



White Fields For Wooden And
Environmental Industries Ltd



Amir Bin Malik St 116 Khalda
Amman-Jordan



+962 796295578

Activate Windows